

### Features

- 44 airjets release thousands of heated bubbles that surround, support, and massage the body.
- Variable-speed blower lets you adjust massage intensity to 18 levels.
- Automatic and manual purge cycles remove residual water from air channels after use.
- Lighted keypad control.
- 60-minute automatic shutoff timer.
- Safeguard® slip-resistant surface on bath floor.
- Integral lumbar support.
- Color-matched jet trim.

### Material

- KOHLER® enameled cast iron.

### Technology

- Heated BubbleMassage™ technology warms and humidifies air before it enters the bath.

### Installation

- Drop-in or undermount.
- Reversible drain.
- Requires two 120V dedicated circuits.
- Requires K-23856 cable pop-up bath drain and K-23857 bath drain trim (sold separately).

### Required Products/Accessories

K-23856 1-1/2" cable pop-up bath drain

or

K-23857 Bath drain trim

### Recommended Products/Accessories

K-1172 Adjustable feet  
K-1491 Bath/Whirlpool Pillow  
K-1601 Bath/whirlpool footstop, removable  
K-1705 Whirlpool/BubbleMassage™ Remote Control  
K-586 Under-Mount Installation Kit  
K-9498 3" Keypad Trim  
K-1179 Vinyl Tiling-in Bead



### Codes/Standards





ASME A112.19.7/CSA B45.10  
ASME A112.19.1/CSA B45.2  
ASTM F462  
UL 1795  
CSA C22.2 No. 218.2

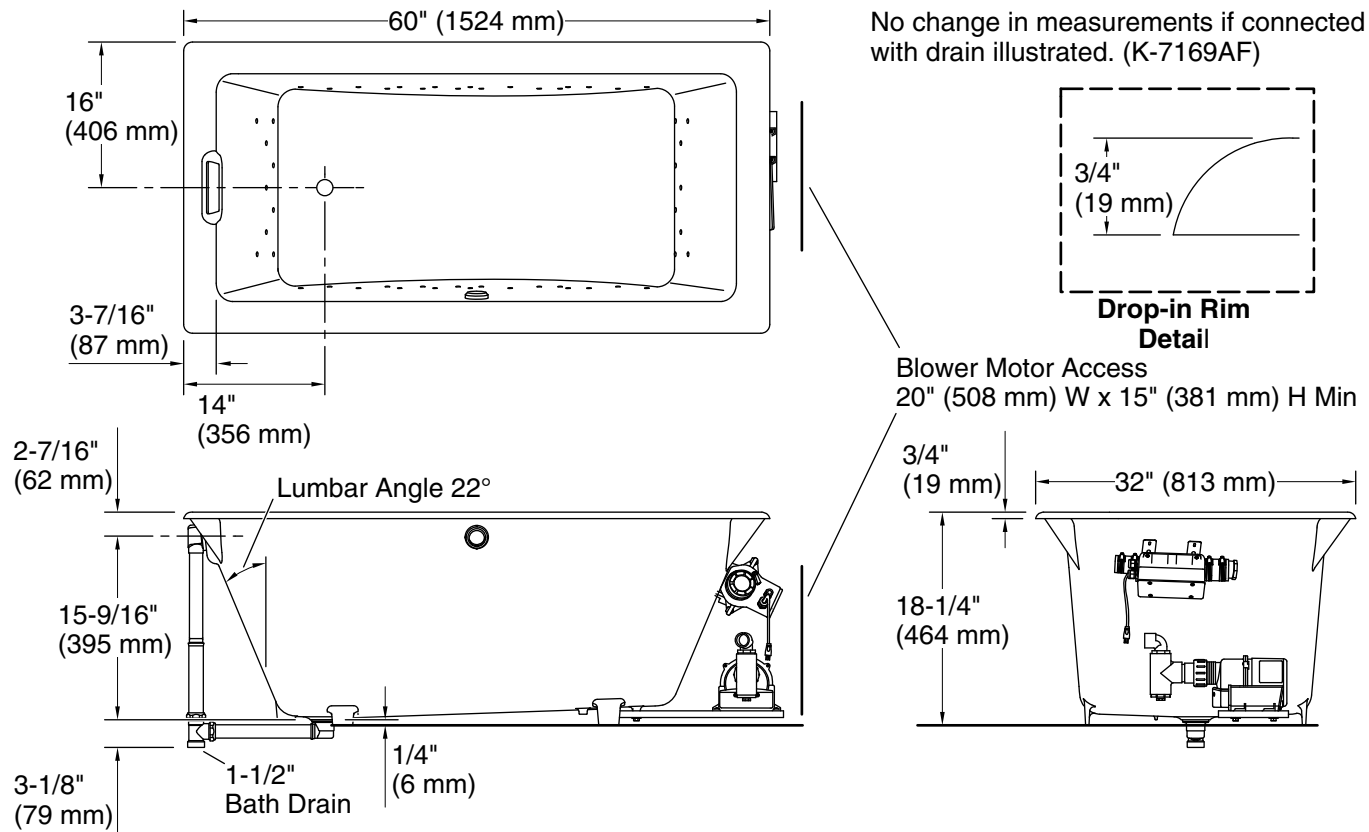
### KOHLER® Enameled Cast Iron Bath and Shower Base Lifetime Limited Warranty

See website for detailed warranty information.

### Available Colors/Finishes

*Color tiles intended for reference only.*

Color	Code	Description
	0	White
	96	Biscuit
	NY	Dune
	7	Black Black™



No change in measurements if connected with drain illustrated. (K-7169AF)

### Required Electrical Service

Two dedicated circuits required, protected with Class A Ground-Fault Circuit-Interrupter (GFCI). Outside North America, this device may be known as a Residual Current Device (RCD).

Blower, Air bath: 120 V, 15 A, 60 Hz  
Air bath: 120 V, 15 A, 60 Hz

### Technical Information

All product dimensions are nominal.

Installation: Drop-in, Undermount  
Drain location: End  
Basin area, bottom: 40-1/2" x 20" (1029 mm x 508 mm)  
Basin area, top: 52-3/4" x 24" (1340 mm x 610 mm)  
Weight: 350 lbs (158.8 kg)  
Minimum floor load: 60 lbs/ft<sup>2</sup> (292.9 kg/m<sup>2</sup>)  
Water depth: 13-5/8" (346 mm)  
Water capacity: 60 gal (227.1 L)  
Cutout: Drop-in, 58-1/2" x 30-1/2" (1486 mm x 775 mm)  
Template: K-586, required, not included  
Electrical component rating: Blower: 120 V, 10 A, 60 Hz  
Air bath: 120 V, 0.5 A, 60 Hz

### Notes

Measure your actual product for rough-in details.

Install this product according to the installation instructions.

The hot water supply should be 70% of the capacity of the bath or greater. Installations will vary.